

VAC BASNW C MT

CLUB Tap Range Club Mono Basin Mixer Without Waste with Metal Heads Chrome



Specification

| | |
|--|-----------------------------------|
| Product Type: | Bathroom Tap |
| Main Construction Material: | Brass |
| Mount Type: | Deck Mounted |
| Handle Type: | Club Handles |
| Connection Inlet: | M10 x 265mm Copper Tails |
| Connection Outlet: | M24 Flow Straightener |
| Number of Tap Holes: | 1 |
| Valve/Cartridge Type: | 1/2" Standard Valve |
| Plumbing System Requirements: | Suitable for all plumbing systems |
| Minimum Dynamic Pressure: | 0.2 Bar |
| Maximum Dynamic Pressure: | 5.0 Bar |
| Maximum Hot Water Temperature: °C | 65 |
| Maximum Static Pressure: (bar) | 10 |
| Flow Type: | Single Flow |
| Isolation Included: | No |

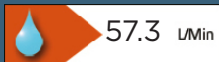
Features:

- Metal fixing nut for added durability
- Metal handles
- Chrome plated to BS EN 248

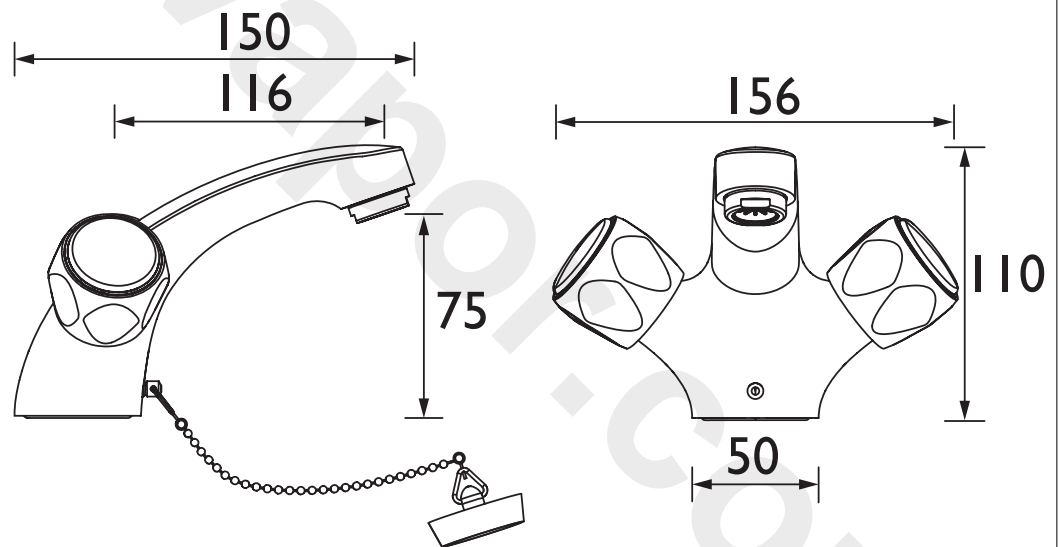
Product Certifications:



WRAS Cert. Number: 2001915
WRAS Expiry Date: 31/01/2025



Dimensions (measurements in mm)



Flow Rates (l/min)

| System Pressure (bar) | 0.2 | 0.5 | 1 | 2 | 3 | 5 |
|-----------------------|------|------|------|------|------|----|
| VAC BASNW C MT | 12.7 | 22.1 | 32.5 | 46.8 | 57.3 | 74 |

For more products, visit our website:
<http://www.bristan.com>



TECHNICAL
DATA
SHEET



BRISTAN

D8